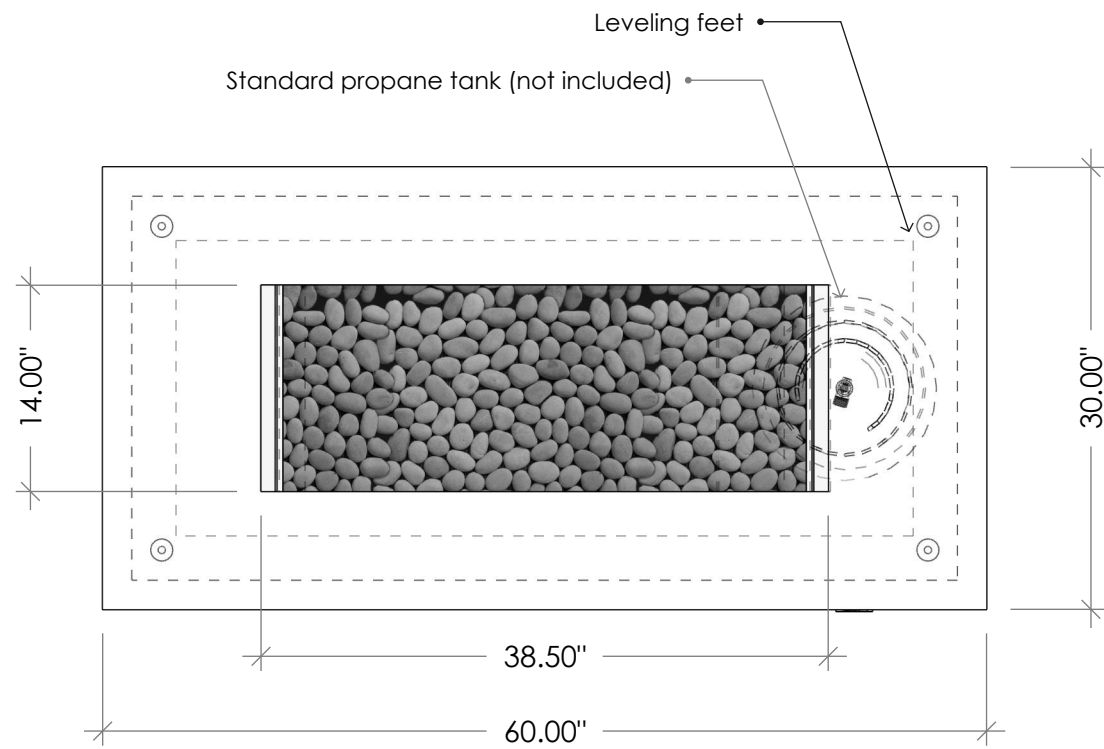
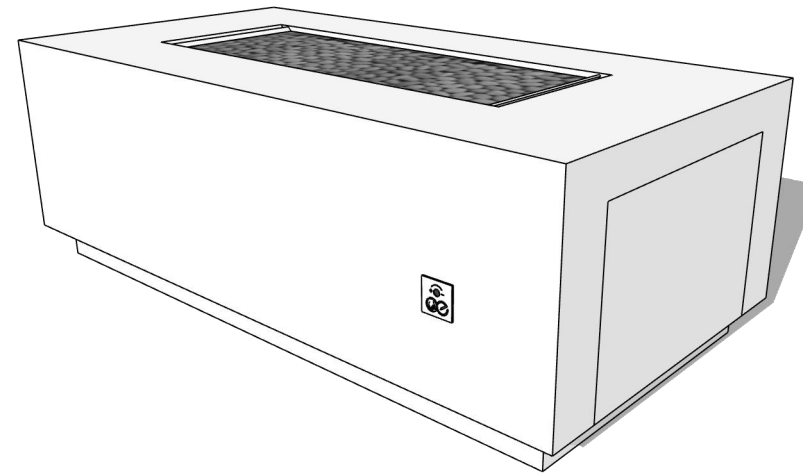


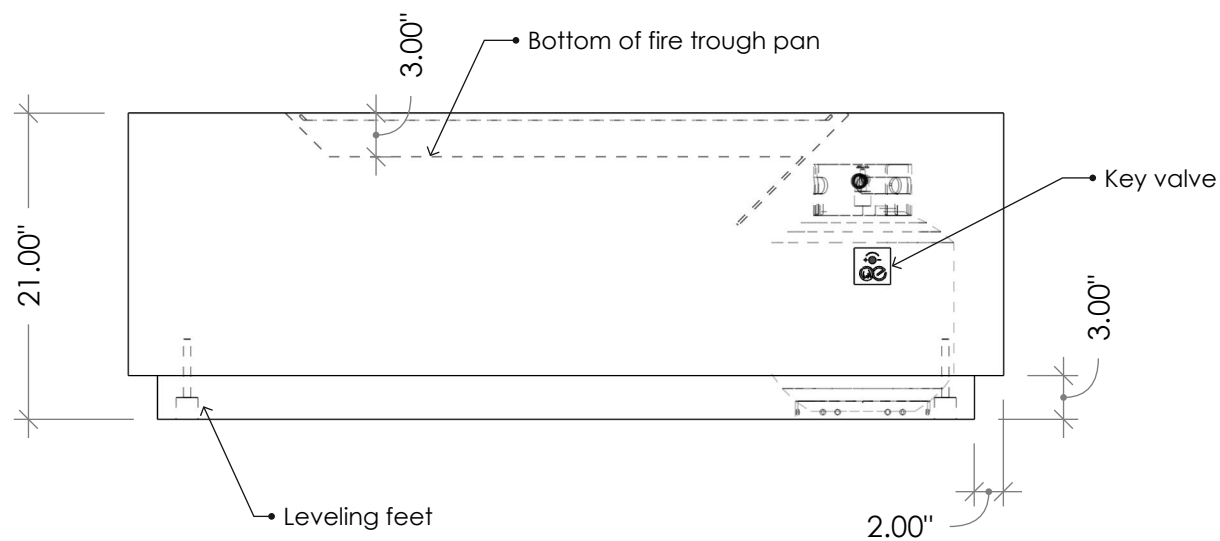
# HIDDEN TANK - INCITE-T 60" x 30" x 21"



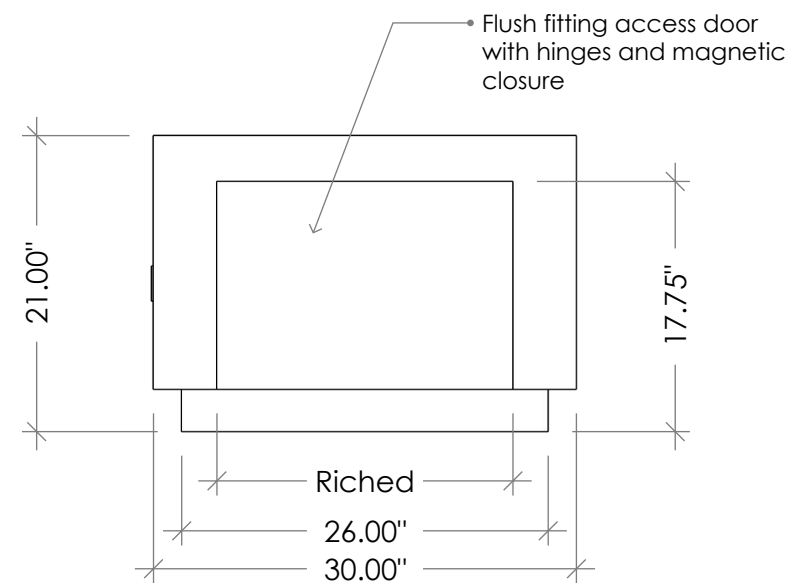
TOP VIEW



PERSPECTIVE VIEW



FRONT VIEW



RIGHT SIDE VIEW

## PLACEMENT REQUIREMENTS (to be completed before installation):

- Fire pit must be placed on solid (compacted) ground or finished hardscape (pavers, concrete, etc.).
- Please note that units made from rusted steel will likely stain adjacent hardscape surfaces.
- Please ensure that workers have good access to installation site (clear path from the street and entry through gates, etc.).

## When the above preparations are completed, standard installations include the following:

- Delivery and placement of unit, including leveling
- Connection of fuel lines
- Testing for leaks and overall functionality
- Placement of fill material (lava or fire glass)
- User training, if desired

\* Outdoor Elements guarantees the fire pit will arrive in perfect condition. We are not responsible for any damage occurring after delivery and/or installation. Treat the fire pit like fine furniture, do not allow other contractors to use it as a workbench, etc. If it is to be installed before other landscaping work is completed, we recommend covering and protecting the unit until all surrounding work is completed.

\*\* If site is not ready as described above and a second trip is required, an additional fee may be applied.

## SPECS & SITE PREP DETAILS

**BTU RATING:**  
125,000 BTU

**APPROX. WEIGHT (without fill):**  
Steel - 351 lbs  
Aluminum - 143 lbs

**RECOMMENDED FILL:**  
Tumbled lava - 93 lbs  
Fire glass - 78 lbs

**APPROX. BURN TIME AT FULL FLAME HEIGHT:**  
3.5 HRS

v1.0-2025

